

3M MINI 1-CIRCUIT TRACK

MINI 1-CIRCUIT TRACK SYSTEM



COLOURS



OPTIONS

Dimmable



Product code Black (RAL 9011)
EAN Code Black

PRO-S130-B
8719747936054

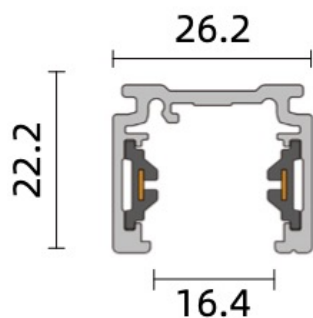
Product code White ((RAL 9010)
EAN code White

PRO-S130-W
8719747936061

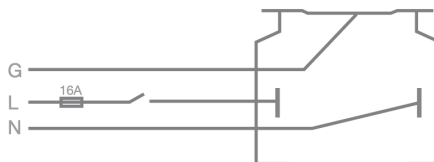
Main materials
Net weight per piece
Inner box / outer box
Rated voltage per circuit

PC UL94V0 + Copper
1460 grams
1 / 9 pcs
220 – 250V / 16A

DIMENSIONS



CONNECTING DIAGRAM



220-250Vac 16A Max.

MECHANICAL LOAD DIAGRAM

