

DIABLO HE
TRACK LIGHTING



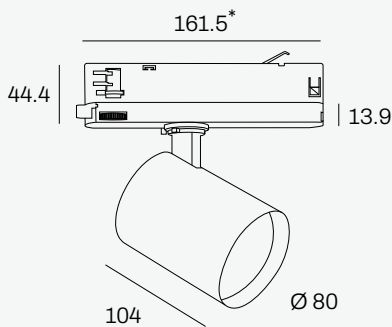
AVAILABLE IN

Reflector				Led module					
Reflector	Reflector	Reflector	Reflector	Standard	Premium	CRI 98	HE+	Food	DTW
15°	24°	40°	60°						
Mounting		Dim options			Fixture options				
TW	3-phase	Dimmable	Dimmable	Casambi	Glass	Honeycomb			

Lumen output 1100lm • 2000lm • 3000lm • 4000lm
CRI >80Ra • >90Ra
CCT 2700K • 3000K • 3500K • 4000K • 5000K

FIXTURE SPECIFICATIONS

[View product on website](#)



Fixture weight: 425 grams



Housing material	Die cast aluminium
Material finish	Powder coating
RAL colour	9004 (Black) • 9003 (White) • 9006 (Grey)
Fixture type	3-phase track light
LED Module	Philips Fortimo SLM LED
Driver	Philips Xitanium in-track adapter
Number of light sources	1
Adjustability	350° rotatable and 90° tiltable
IP rating	IP20
Expected lifetime	L90 / B10 @ 66.000 hours
Photobiological safety	RG1 Unlimited
Power factor	> 0.9
Colour consistency	3 SDCM
Warranty	5 years on LED module and driver

* Length of in-track adapter may vary depending on selected dimming options

FIXTURE VARIATIONS

LED module	Lumen	Light colour	Efficiency (Lm/W)	Power	Dim options
Philips Fortimo SLM G8 HE	1100lm	827 / 830 / 840 / 850	152	7.2W	Triac / DALI / Casambi
Philips Fortimo SLM G8 HE	1100lm	927 / 930 / 930PW	121	9.1W	Triac / DALI / Casambi
Philips Fortimo SLM G8 HE	1100lm	935PW / 940PW / 950	152	7.2W	Triac / DALI / Casambi
Bakery	1100lm	2500K BA	124	8.9W	Triac / DALI / Casambi
Meat Premium Red	1100lm	MPR	70	15.8W	Triac / DALI / Casambi
Fresh Fish	1100lm	940 FF	122	9.0W	Triac / DALI / Casambi
Dim-to-warm	1100lm	1800K - 3000K	81	13.5W	Triac / DALI / Casambi
Tunable white	1100lm	2700K - 6500K	78	14.1W	DALI
Philips Fortimo SLM G8 HE	2000lm	827 / 830 / 840 / 850	135	14.8W	Triac / DALI / Casambi
Philips Fortimo SLM G8 HE	2000lm	927 / 930 / 930PW	135	14.8W	Triac / DALI / Casambi
Philips Fortimo SLM G8 HE	2000lm	935PW / 940PW / 950	135	14.8W	Triac / DALI / Casambi
Bakery	2000lm	2500K BA	125	16.0W	Triac / DALI / Casambi
Meat Premium Red	2000lm	MPR	69	29.0W	Triac / DALI / Casambi
Fresh Fish	2000lm	940 FF	110	18.3W	Triac / DALI / Casambi
Dim-to-warm	2000lm	1800K - 3000K	87	23.0W	Triac / DALI / Casambi
Tunable white	2000lm	2700K - 6500K	79	25.4W	DALI
Philips Fortimo SLM G8 HE	3000lm	827 / 830	135	22.2W	Triac / DALI / Casambi
Philips Fortimo SLM G8 HE	3000lm	840 / 850	149	20.1W	Triac / DALI / Casambi
Philips Fortimo SLM G8 HE	3000lm	927 / 930 / 930PW	135	22.2W	Triac / DALI / Casambi
Philips Fortimo SLM G8 HE	3000lm	935PW / 940PW / 950	135	22.2W	Triac / DALI / Casambi
Dim-to-warm	3000lm	1800K - 3000K	91	32.8W	Triac / DALI / Casambi
Tunable white	3000lm	2700K - 6500K	86	35.0W	DALI
Philips Fortimo SLM G8 HE	4000lm	827 / 830	130	30.8W	DALI / Casambi
Philips Fortimo SLM G8 HE	4000lm	840 / 850	139	28.8W	DALI / Casambi
Philips Fortimo SLM G8 HE	4000lm	927	121	33.0W	DALI / Casambi
Philips Fortimo SLM G8 HE	4000lm	930 / 930PW	130	30.8W	DALI / Casambi
Philips Fortimo SLM G8 HE	4000lm	935PW / 940PW / 950	130	30.8W	DALI / Casambi

Fixture variations:

¹⁾ Lumen output of LED module (COB) is displayed as net lumen and is subject to 10% tolerance of real time light output (set by international standards)

²⁾ Colour temperature notation is composed of CRI value, indicated by the first digit, and CCT in Kelvin, indicated by the following 2 digits. Accuracy of the Correlated Colour Temperature (CCT) is subject to a tolerance of up to +/- 150 Kelvin compared to nominal value.

³⁾ Fixture efficiency is displayed in lumens per watt and is calculated based on the net lumen output and power consumption of both the LED module and driver.

⁴⁾ Mentioned wattage applies for the total power consumption of the fixture, including both LED module and driver.

Technical data can be changed by Internova Professional Lighting BV without prior notice.

ARTICLE CODE CONFIGURATOR

IN

LUMEN OUTPUT

LIGHT COLOUR

REFLECTOR

FIXTURE COLOUR

DIM OPTIONS

OPTIONS

Article code configurator:
¹⁾ This configurator may not be compatible with all PDF readers. For an optimal experience, please open this document using Google Chrome

POLAR DIAGRAMS

