



Installation Instruction



Voltage : AC~220V~240V
Frequency : 50Hz

Installation

The installation and maintenance of this product must be by a professional. Please read this instruction sheet carefully before installation.

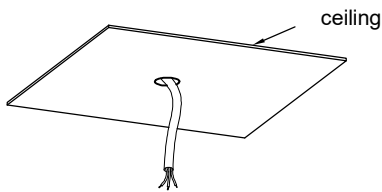


Do not operate with power supply connected.

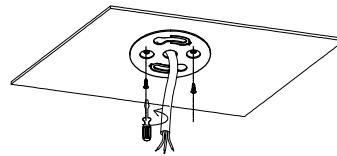
It is recommended that these products are installed by a qualified electrician.

Install the lighting to the ceiling.

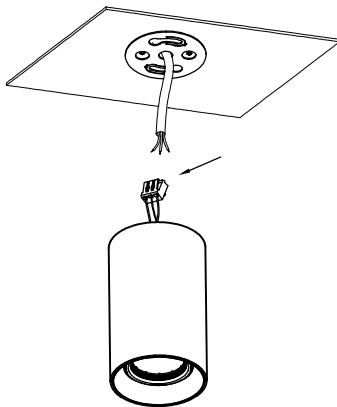
1. Make the cut-out in the ceiling.



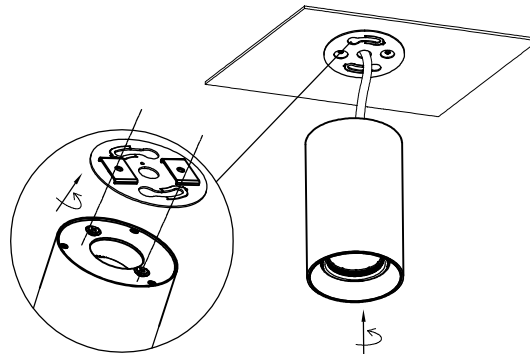
2. Connect the cable and screw the wire fastening.



3. Connect the cable.



4. Rotate the housing to connect the base.



- Make sure the power supply is switched off before maintenance .
- Please respect all fireproofing legislation.
- This product should not be covered with combustible material.
- Remote driver required.

