



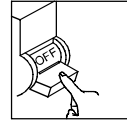
## Variare Installation Instruction



Voltage : AC~220V~240V  
Frequency : 50Hz

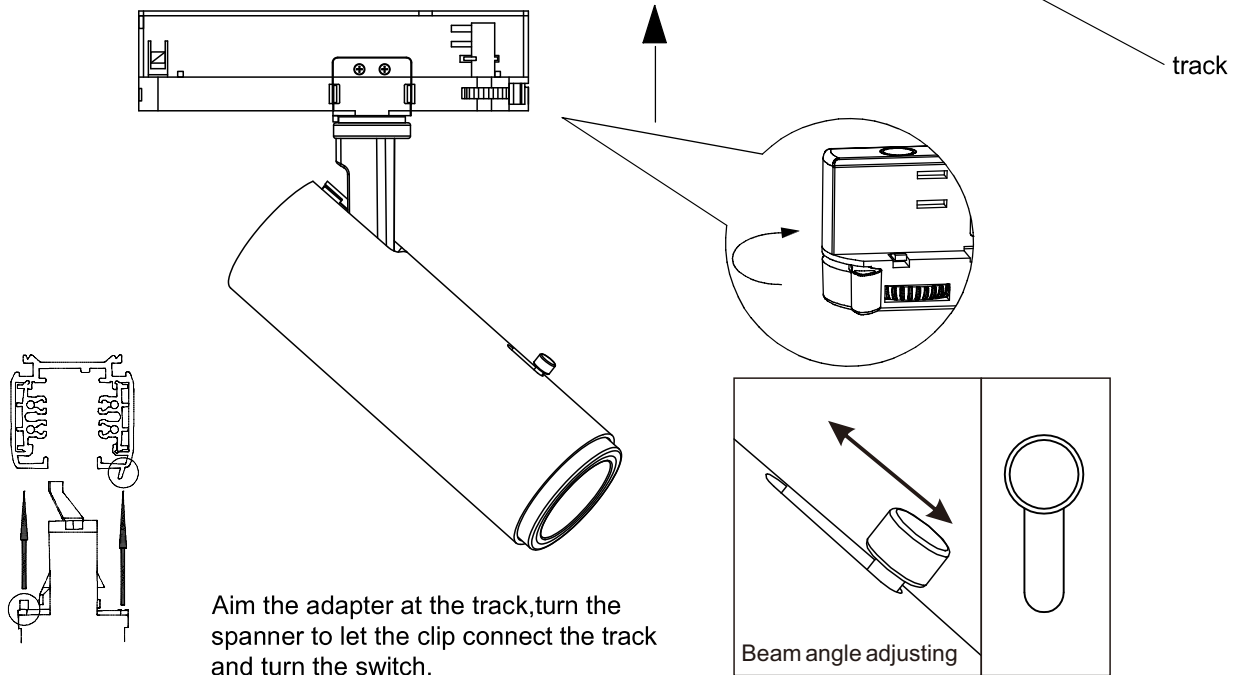
## Installation

The installation and maintenance of this product must be by a professional. Please read this instruction sheet carefully before installation.



Do not operate with power supply connected.

Install the lighting to the track.



- Make sure the power supply is switched off before maintenance.
- Please respect all fireproofing legislation.
- This product should not be covered with combustible material.

