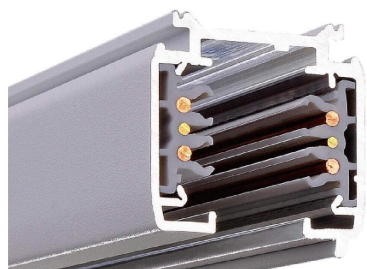


# 2M 3-CIRCUIT DALI TRACK

## 3-CIRCUIT DALI TRACK SYSTEM



### COLOURS



### OPTIONS

Dimmable



**Product code Black (RAL 9011)**  
**EAN Code Black**

PRO-0620-B  
8719747931301

**Product code White (RAL 9010)**  
**EAN code White**

PRO-0620-W  
8719747931288

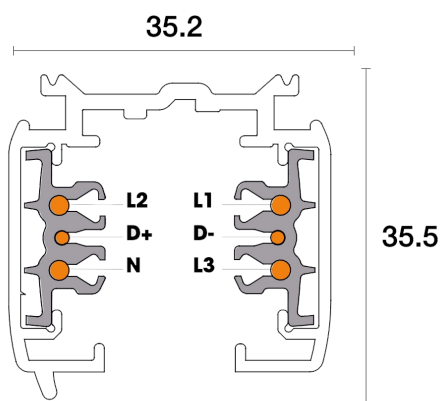
**Product code Grey (RAL7040)**  
**EAN code Grey**

PRO-0620-S  
8719747931295

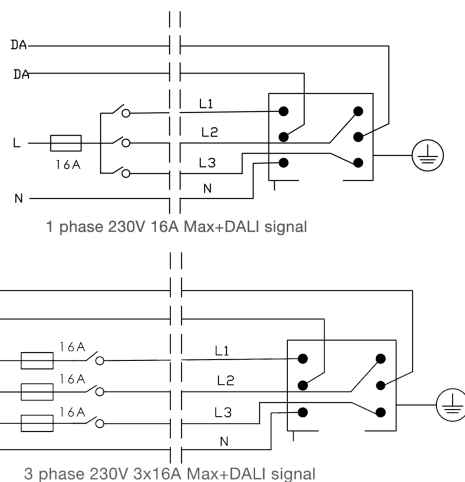
**Main materials**  
**Net weight per piece**  
**Inner box / outer box**  
**Rated voltage per circuit**

Copper + Aluminum  
1836 grams  
1 / 6 pcs  
230V / 16A

### DIMENSIONS



### CONNECTING DIAGRAM



### MECHANICAL LOAD DIAGRAM

