

PRO-D437

Connection Parts 1-circuit DALI



X Connector



Product code White (RAL 9010)
EAN code White

PRO-D437-W
8719747932216

Product code Grey (RAL 7040)
EAN code Grey

PRO-D437-S
8719747932223

Product code Black (RAL 9011)
EAN code Black

PRO-D437-B
8719747932230

Main materials

PC UL94V0 +
Copper + Steel

Net weight per piece

230 g

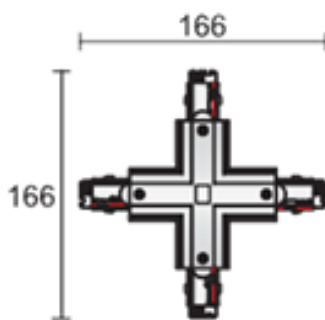
Inner box / outer box

5 / 60 pcs

Rated voltage per circuit

230V / 16A

Dimensions



For DALI-control system

Red line on the diagram indicates the polarity ridge

ON THE RIGHT TRACK

